

Beam Chopper

For PU-EQ 22

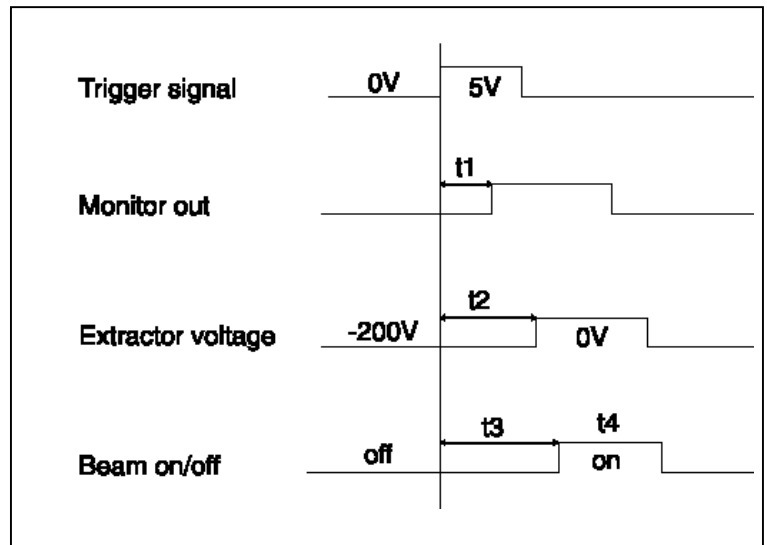
- Allows switching of the electron beam by an external trigger signal up to 10 kHz
- Adaptable to all EQ 22/35 packages
- Beam energy up to 2.5 keV
- Pulse width 1-10 μ s, 10-100 μ s or cw
- Constant delay time between trigger slope and electron pulse of 270 ns
- Rise time ~ 50 ns



Beam Chopper

Timing Diagram

- Required external trigger signal: TTL pulse with minimum width of 200ns
- Monitor signal of the trigger signal with delay time t_1 of about 70 ns
- Switch of extractor voltage with a delay time t_2 of about 150 ns. The electron beam of the EQ 22 is switched on and off by control of the extractor voltage.
- Beam pulse with a delay time t_3 of about 270 ns, a rise time of about 50 ns and adjustable pulse duration t_4 between 1 μ s and 100 μ s.



SPECS GmbH
 Surface Analysis and Computer Technology
 Voltastraße 5
 13355 Berlin · GERMANY

Phone: +49 30 467824 - 0
 Fax: +49 30 4642083
 E-mail: support@specs.de
<http://www.specs.de>